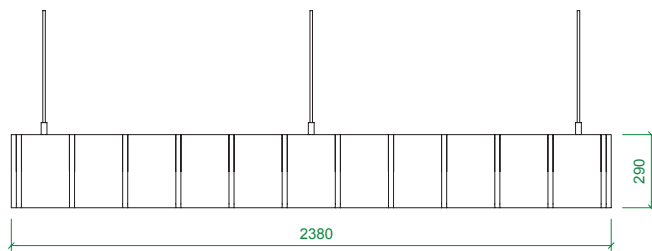


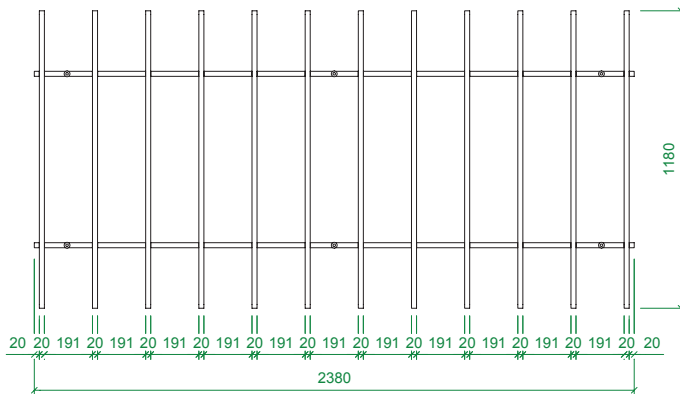


FREESTYLE

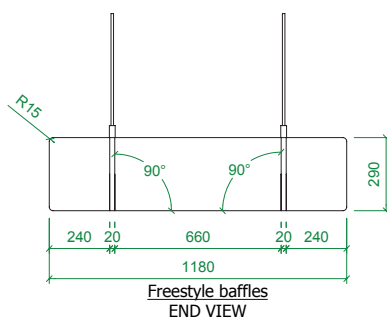
INSTALLATION GUIDE - KRISS CROSS



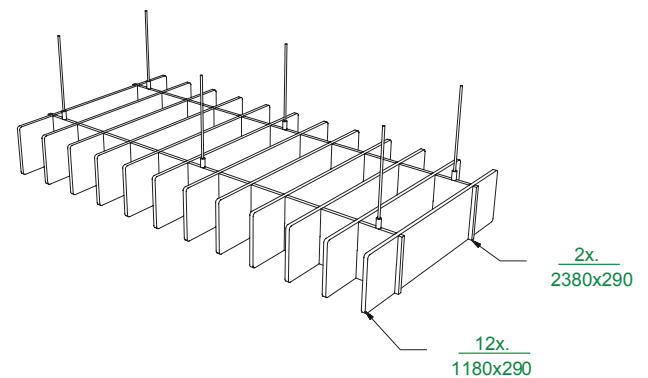
Freestyle baffles
ELEVATION VIEW



Freestyle baffles
PLAN VIEW



Freestyle baffles
END VIEW



Always wears clean protective gloves when installing this product to ensure the panels are kept clean.

- Lay the larger fins out with the cuts side facing up on a clear dry surface.
- One by one slot the shorter fins and ensure they are fully slotted into place
- Turn the raft over and again ensure all fins are slotted in place and the raft is securely fitted together.
- Mark your ceiling points against the raft of where you want it to go.
- Using the screw eyes provided, hard screw into place on the larger slats
- Using a suitable fixing for the ceiling you are suspending from, fix the suspension cable to the ceiling where you've marked.
- Lift the raft into place to meet the cables. Using the snap hook attached the cable to the screw eyes you've already fixed to the raft.
- Adjust cables to the required height and trim excess wire to suit.